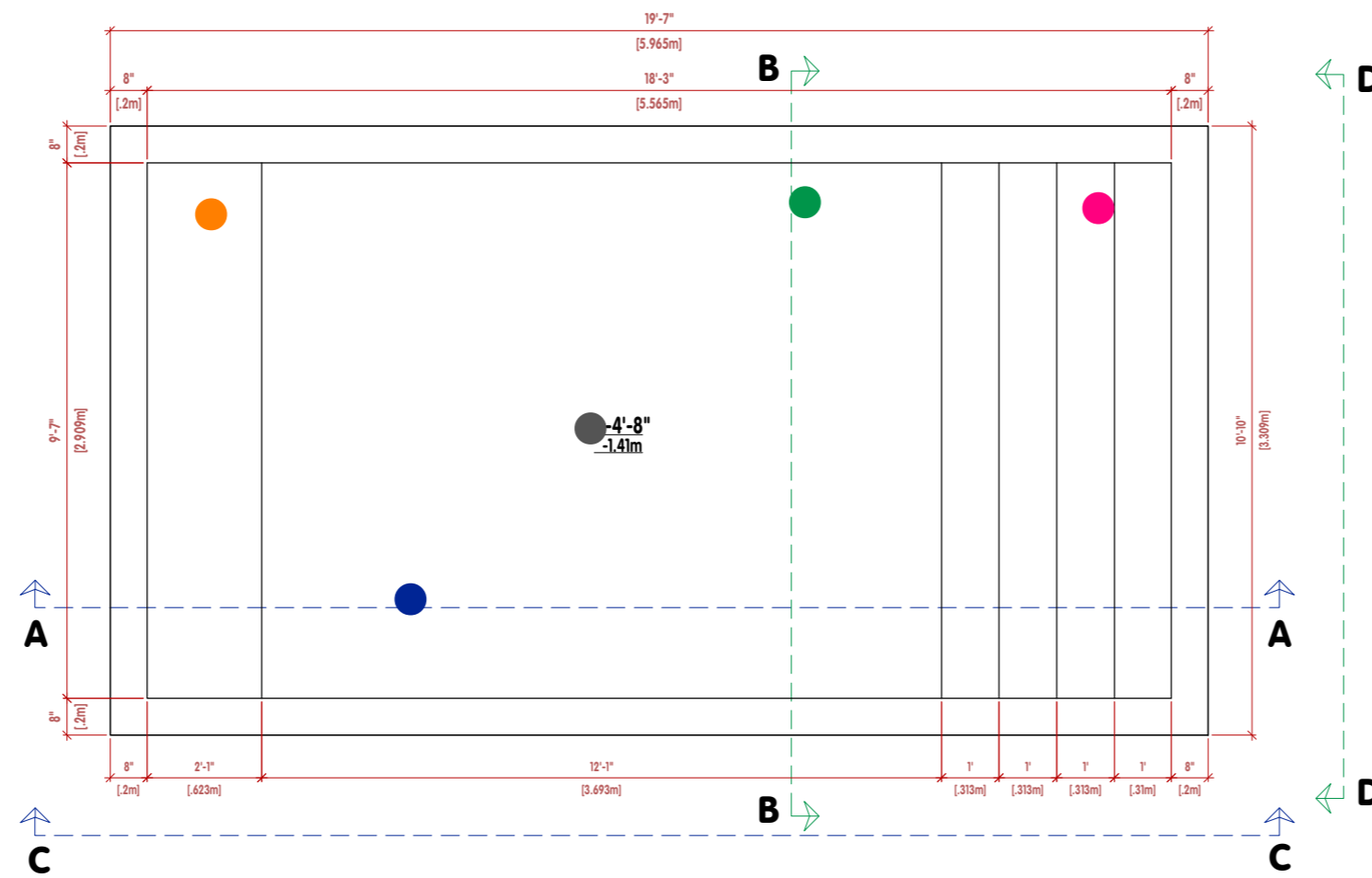
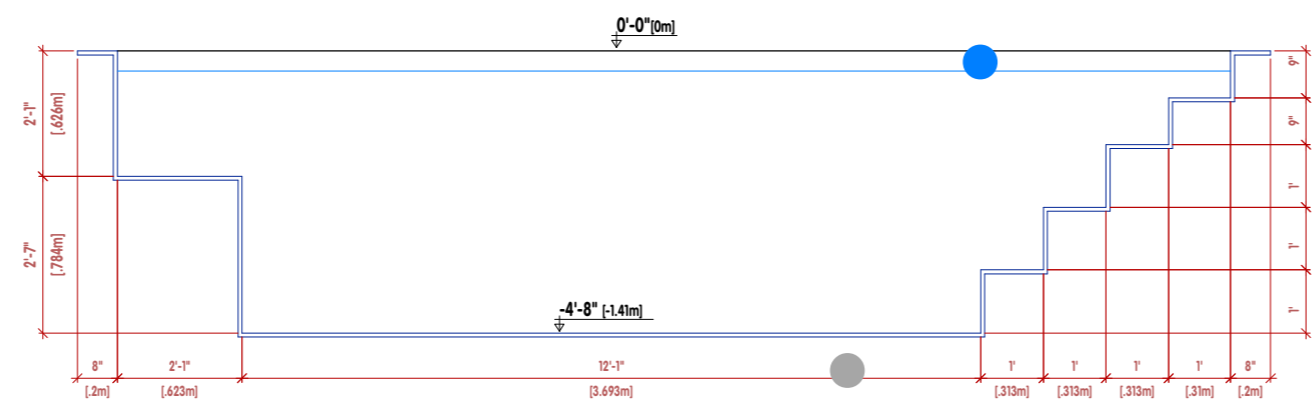


- STAIRS
- BENCH
- DEPTH
- LONGITUDINAL SECTION
- CROSS SECTION
- INTERNAL MEASURE
- WATER LEVEL
- TANNING LEDGE

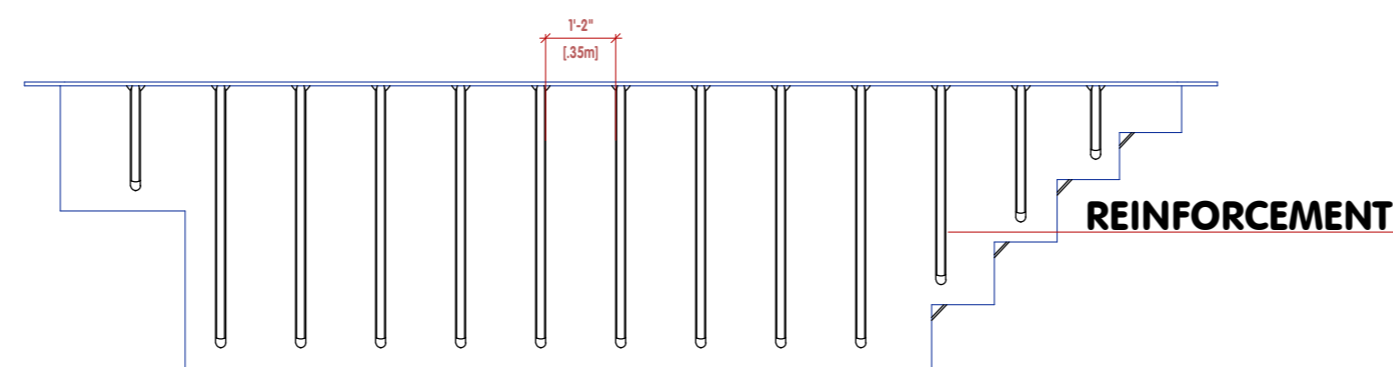
NOTE.:
 - NO SCALE
 - THIS MODEL PRESENTS
 BRACKETS ALONG THE EDGE AND
 REINFORCEMENTS DISTRIBUTED AT
 A MEDIUM DISTANCE OF 18".



TECHINICAL DRAWING

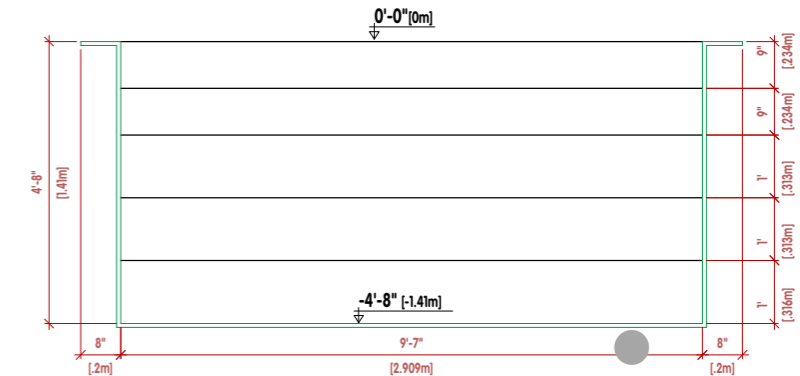


LONGITUDINAL SECTION A-A

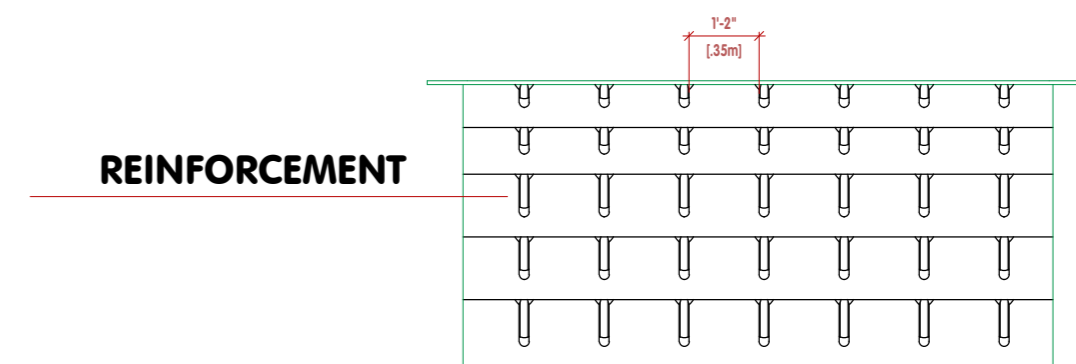


LONGITUDINAL SIDE VIEW C-C

SPECIFICATIONS	
SHELL WEIGHT	654kg
WATER WEIGHT	18620kg
FINISHES SURFACE	37.19 m ²
FINISHES WEIGHT <i>Tiles (7.5X7.5 cm)</i>	633kg
TOTAL WEIGHT	19907kg
WATER VOLUME	18.62 m ³
WATER	18620L
SURFACE AREA	19.73 m ²
PERIMETER	18.54 m



CROSS SECTION B-B



CROSS SIDE VIEW D-D

5.565m x 2.909m

