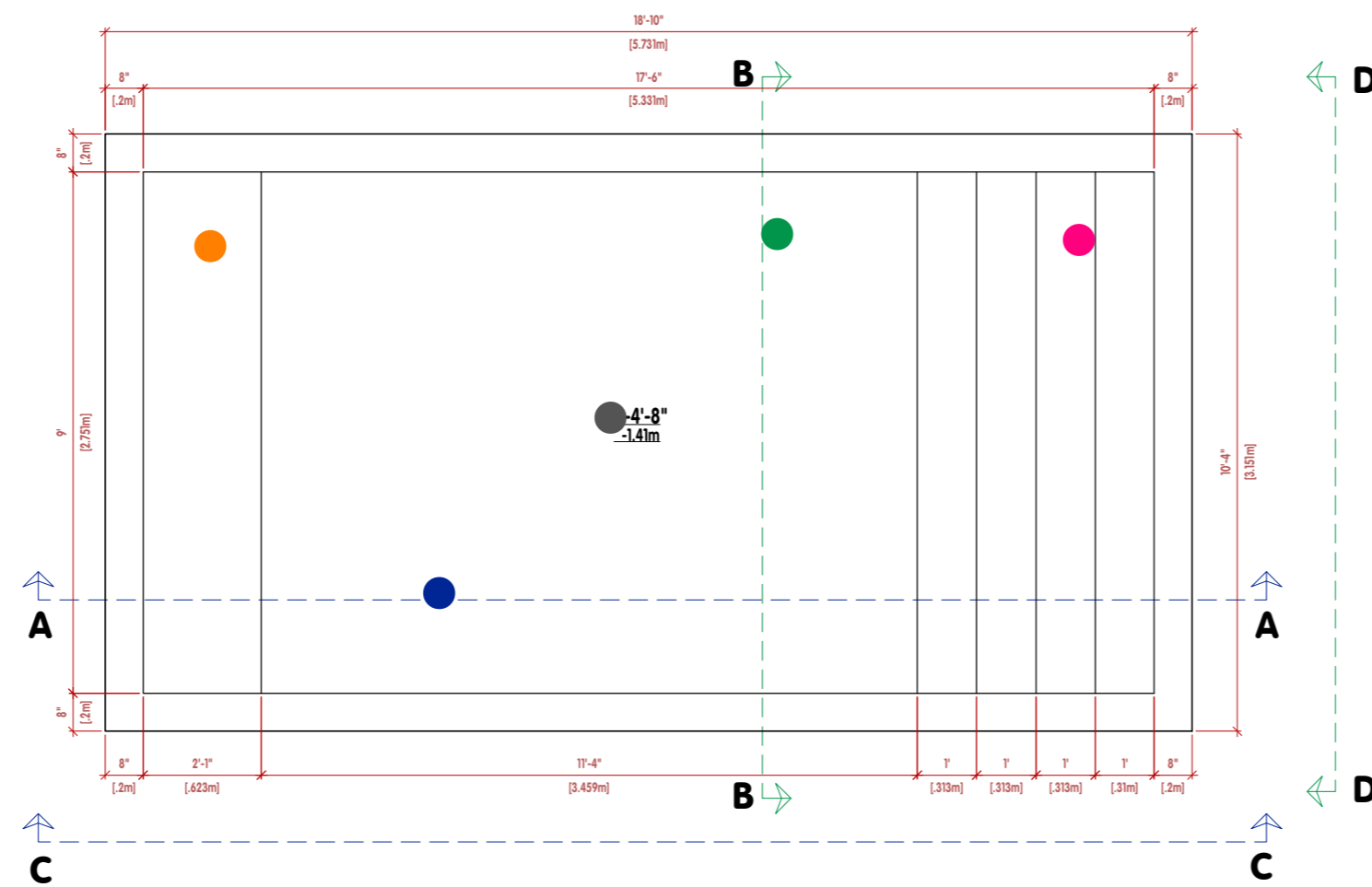
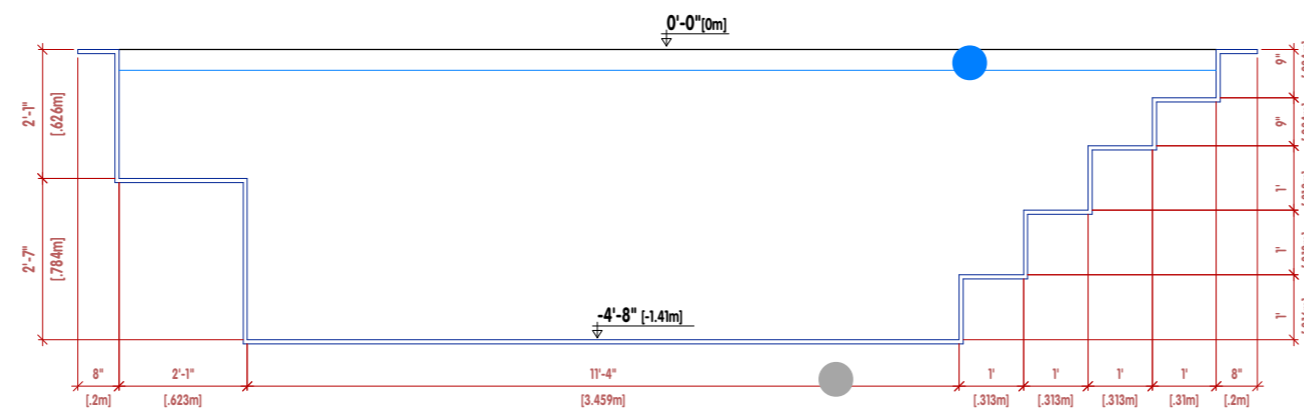


- STAIRS
- BENCH
- DEPTH
- LONGITUDINAL SECTION
- CROSS SECTION
- INTERNAL MEASURE
- WATER LEVEL
- TANNING LEDGE

NOTE.:
 - NO SCALE
 - THIS MODEL PRESENTS
 BRACKETS ALONG THE EDGE AND
 REINFORCEMENTS DISTRIBUTED AT
 A MEDIUM DISTANCE OF 18".

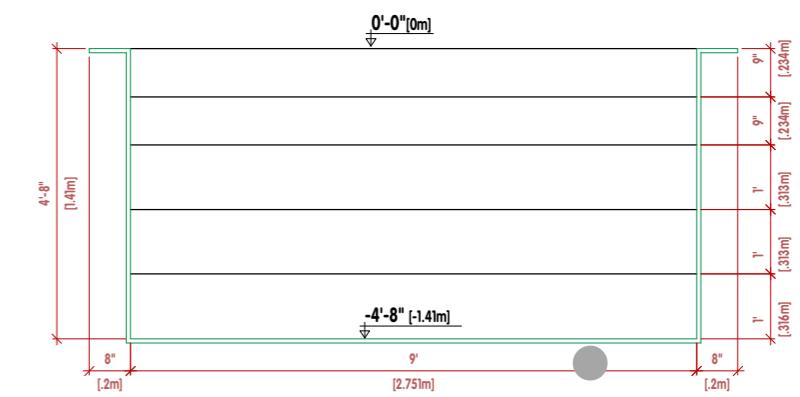


TECHINICAL DRAWING

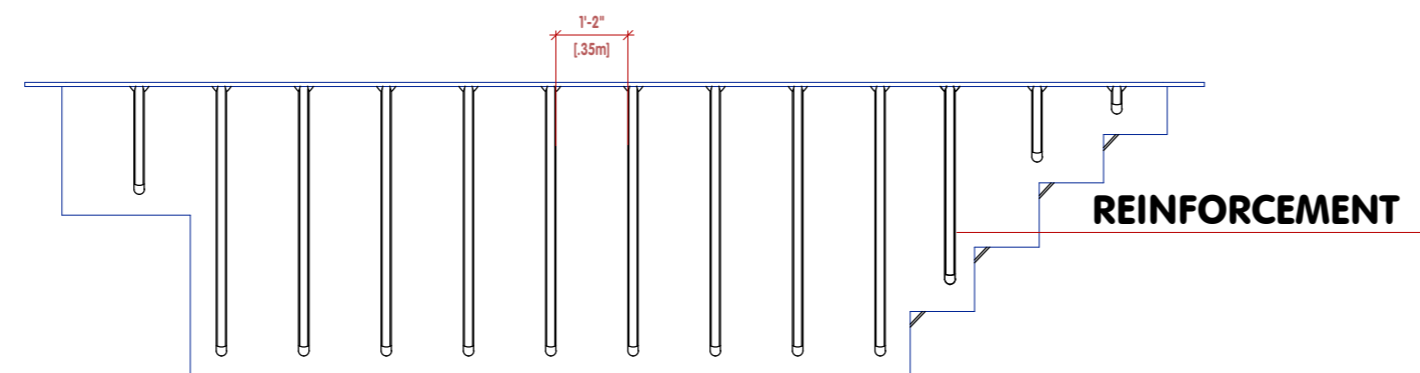


LONGITUDINAL SECTION A-A

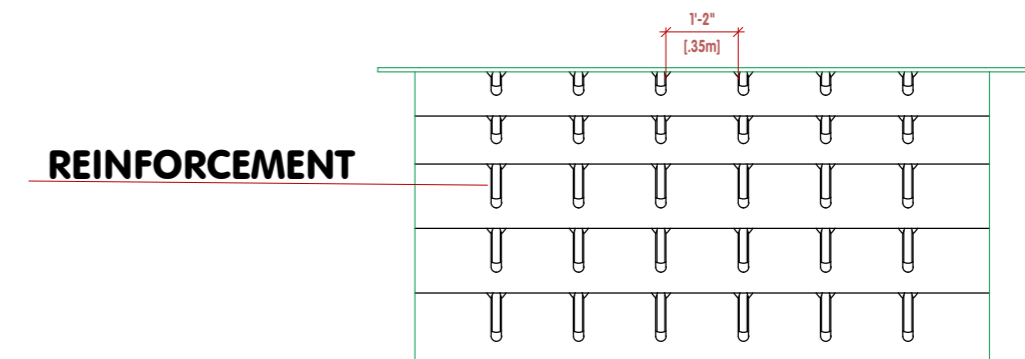
SPECIFICATIONS	
SHELL WEIGHT	627kg
WATER WEIGHT	16700kg
FINISHES SURFACE	34.56 m ²
FINISHES WEIGHT <i>Tiles (7,5X7,5 cm)</i>	588kg
TOTAL WEIGHT	17915kg
WATER VOLUME	16.7 m ³
WATER	16700L
SURFACE AREA	18.05 m ²
PERIMETER	17.76 m



CROSS SECTION B-B



LONGITUDINAL SIDE VIEW C-C



CROSS SIDE VIEW D-D

5.331m x 2.751m

