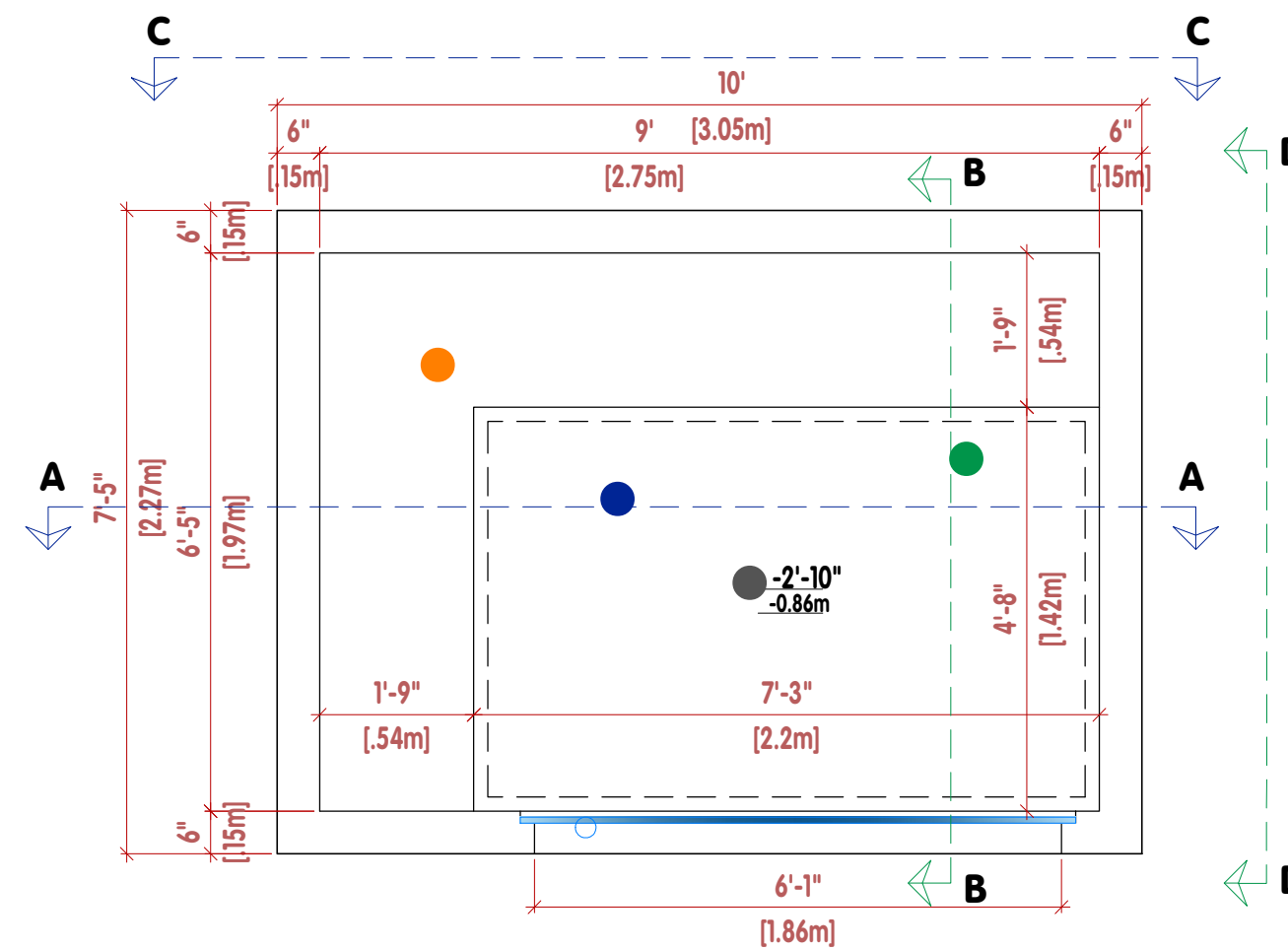
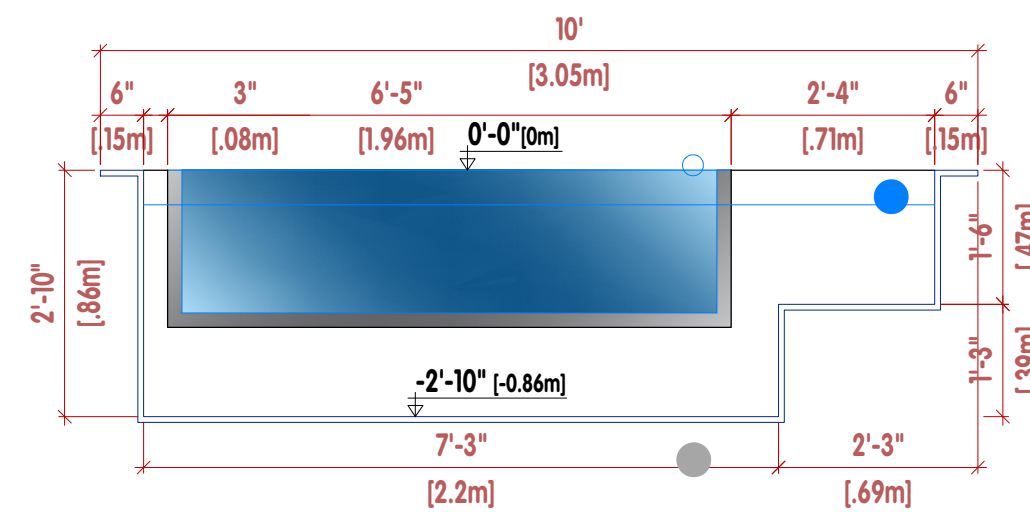


- ACRYLIC
- BENCH
- DEPTH
- LONGITUDINAL SECTION
- CROSS SECTION
- INTERNAL MEASURE
- WATER LEVEL
- TANNING LEDGE

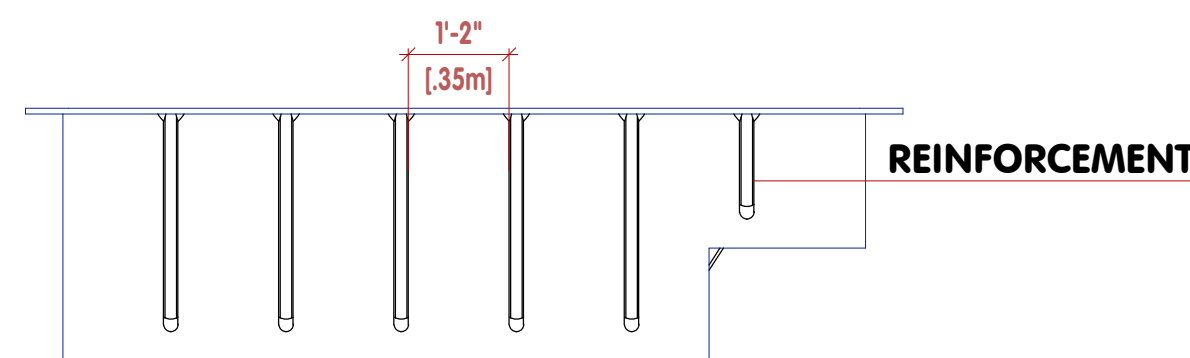
NOTE:
 - NO SCALE
 - THIS MODEL PRESENTS
 BRACKETS ALONG THE EDGE AND
 REINFORCEMENTS DISTRIBUTED AT
 A MEDIUM DISTANCE OF 18".



TECHINICAL DRAWING

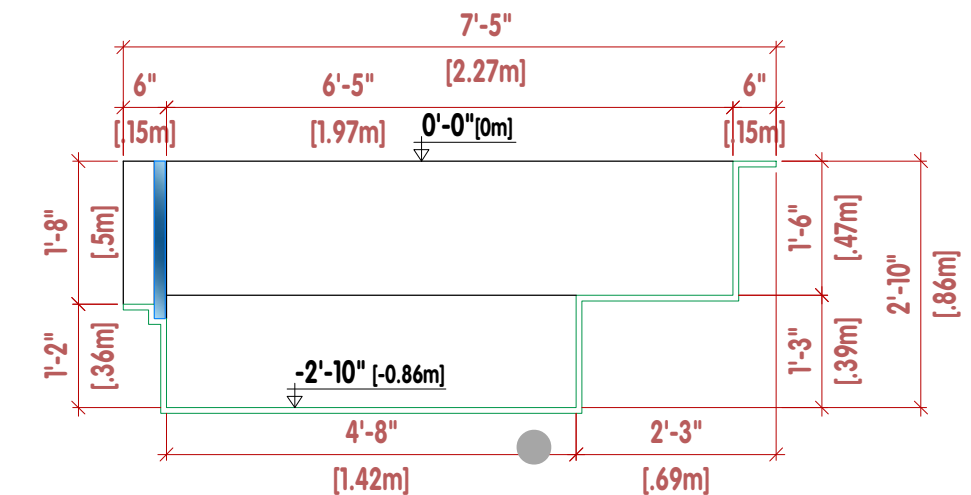


LONGITUDINAL SECTION A-A

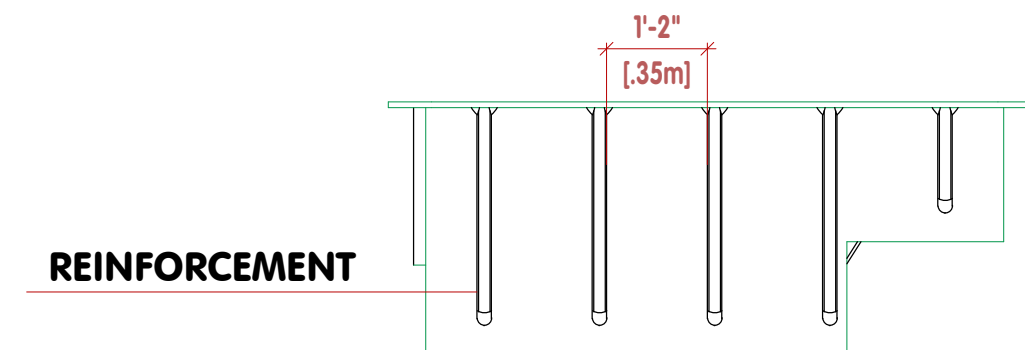


LONGITUDINAL SIDE VIEW C-C

SPECIFICATIONS	
SHELL WEIGHT	200kg
WATER WEIGHT	3740kg
FINISHES SURFACE	11.56 m ²
FINISHES WEIGHT <i>Tiles (7.5X7.5 cm)</i>	197kg
TOTAL WEIGHT	4202kg
WATER VOLUME	3.74 m ³
WATER GALLONS AND LITERS	3740L
SURFACE AREA	6.9235 m ²
PERIMETER	10.64 m
ICC-ES LISTED	



CROSS SECTION B-B



CROSS SIDE VIEW D-D

2.75m x 1.97m x 0.86m Tx1

