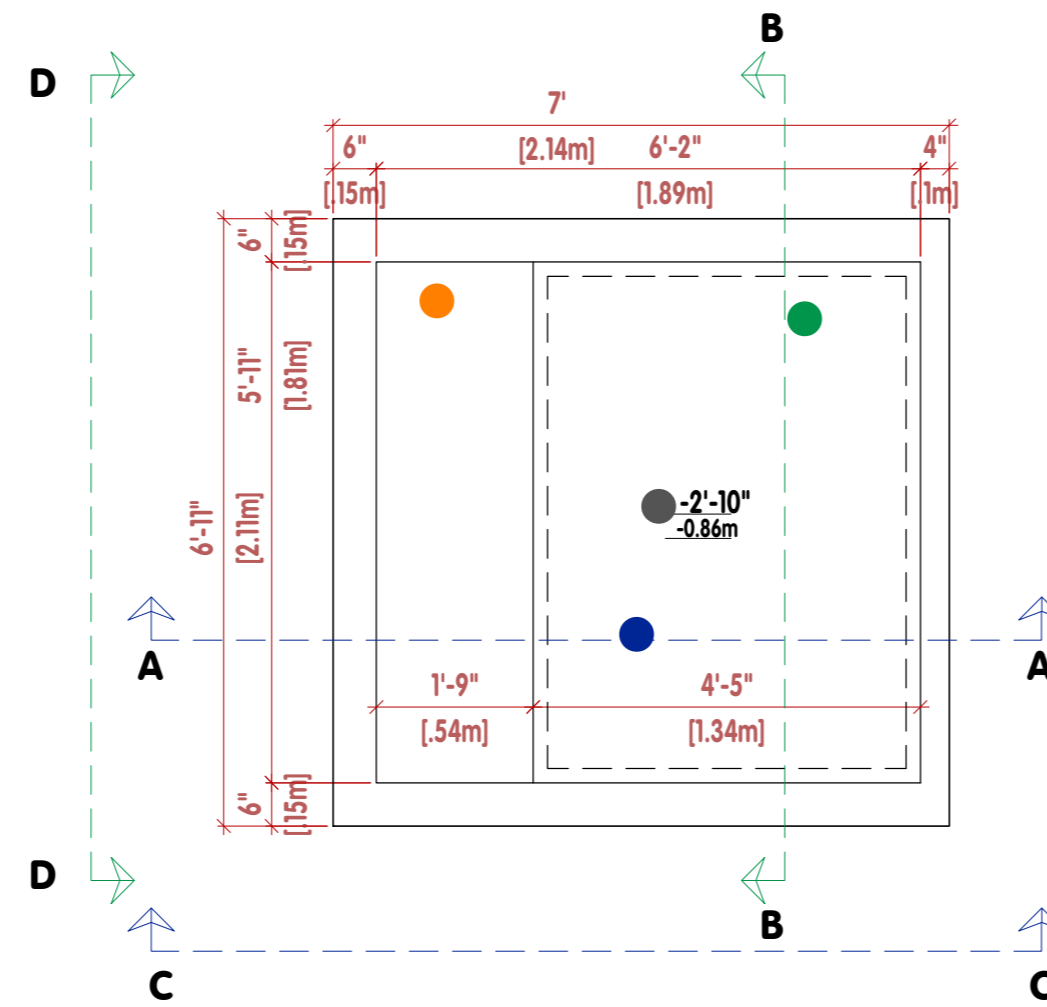
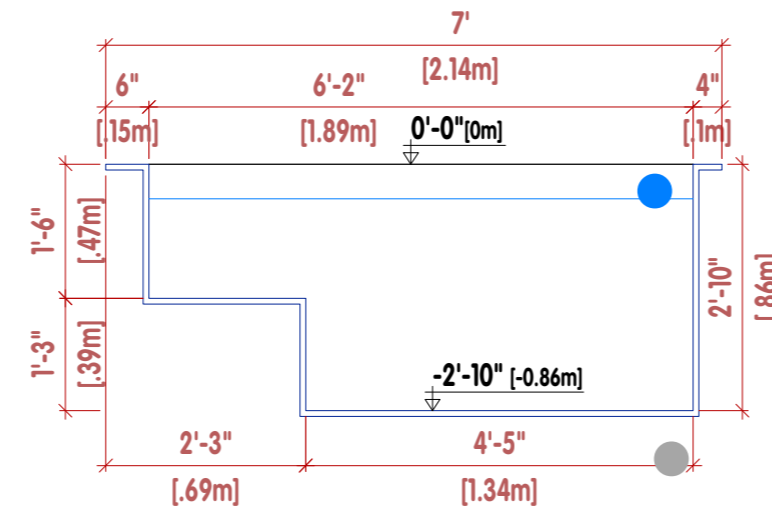


- STAIRS
- BENCH
- DEPTH
- LONGITUDINAL SECTION
- CROSS SECTION
- INTERNAL MEASURE
- WATER LEVEL
- TANNING LEDGE

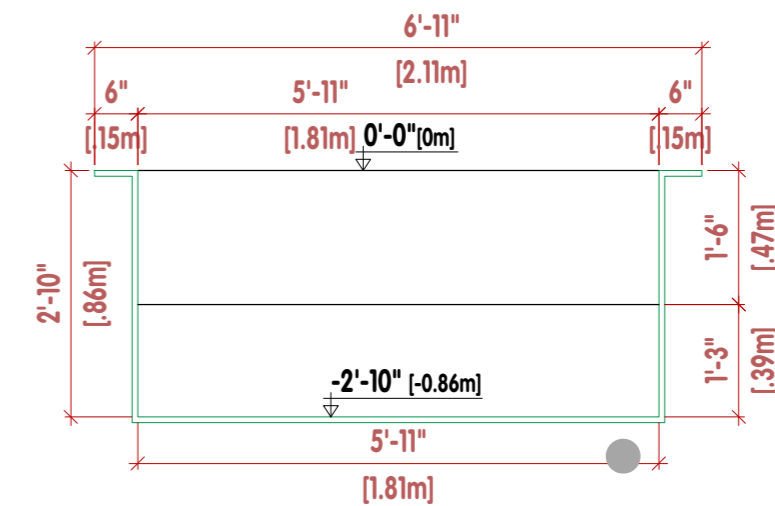
NOTE:  
 - NO SCALE  
 - THIS MODEL PRESENTS  
 BRACKETS ALONG THE EDGE AND  
 REINFORCEMENTS DISTRIBUTED AT  
 A MEDIUM DISTANCE OF 18".



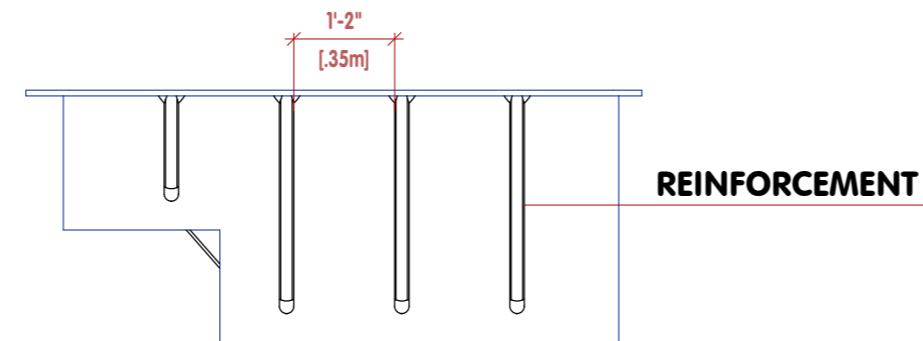
**TECHINICAL DRAWING**



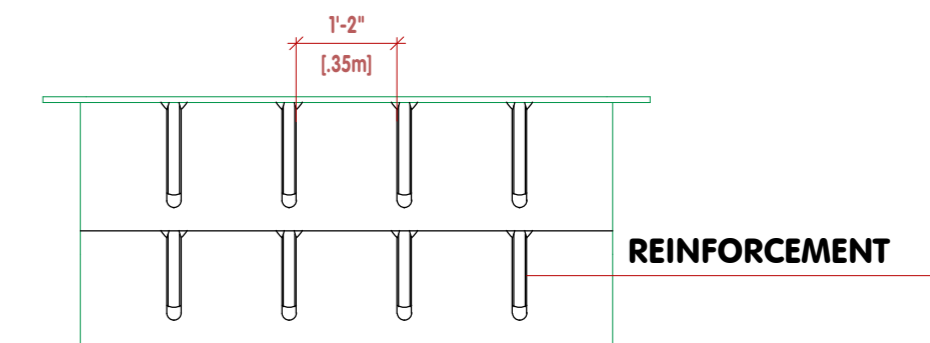
**LONGITUDINAL SECTION A-A**



**CROSS SECTION B-B**



**LONGITUDINAL SIDE VIEW C-C**



**CROSS SIDE VIEW D-D**

SPECIFICATIONS	
SHELL WEIGHT	150 kg
WATER WEIGHT	2540kg
FINISHES SURFACE	9.33 m <sup>2</sup>
FINISHES WEIGHT	
Tile (7.5X7.5 cm)	160kg
TOTAL WEIGHT	2910kg
WATER VOLUME	2.54 m <sup>3</sup>
WATER	2540 L
SURFACE AREA	4.5154 m <sup>2</sup>
PERIMETER	8.5 m

**1.89m x 1.81m x 0.86m**

